

Signal Columns

Application Area

All technical areas such engine rooms, engine control rooms and pump rooms.

Design

According to the rules of maritime classification societies, additional IEC.

Protection

IP44

Housing

Zinc coated steel, standart

Stainless steel AISI 316 sheet deep drawn

Finish

RAL9016 White or

RAL7015 Grey

Diffuser

Polycarbonate, opac

Electric

24V DC

LAMP 1 or 7

24V Led Lamp

Cable Entry 1 or 2

PG11-PG3,5-PG16-PG21 Polyamide

PG11-PG3,5-PG16-PG21 Nickel Plated Brass

Siren

32mA for 106dB siren or

240mA for 120dB siren

Beacons 1 or 3

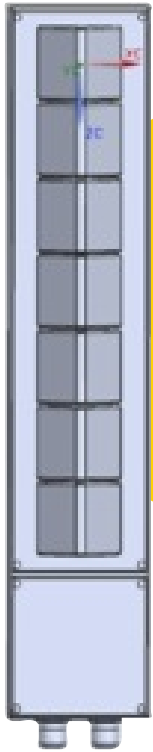
Red-Orange-(Green-White)

Spare Parts

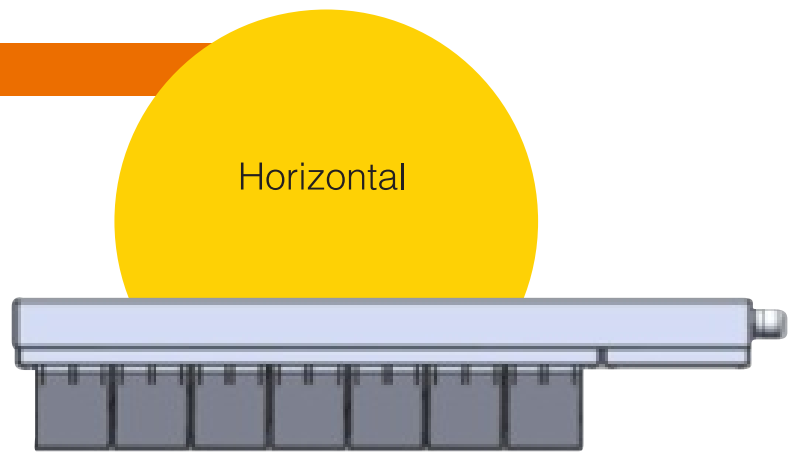
Available on request

Mounting

Vertical or Horizontal

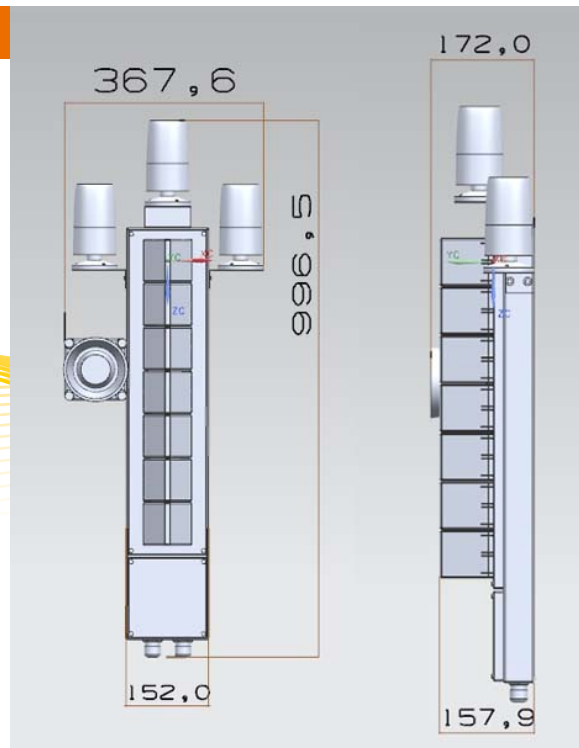


Vertical



Horizontal

Technical Draft



BC

01
02
03
04
05
06
07

V
H

0
1
2

00
1R
1G
1T
3B

W
G

CABLE GLANDS
OPTIONS

24V DC
Signal Columns

LAMP	QUANTITY
01	1 Pcs
02	2 Pcs
03	3 Pcs
04	4 Pcs
05	5 Pcs
06	6 Pcs
07	7 Pcs

MOUNTING

V- Vertical
H- Horizontal

SIREN

0: No Siren
1: 106 dB - 32mA
2: 120 dB - 240 mA

BEACONS

00: No Beacons
1R: single Beacon Red
1G: Single Beacon Green - White
1T: Single Beacon Orange
3B: Tree Beacon (Red-Green-White-Orange)

BODY COLOUR

W - RAL 9016 White
G - RAL 7035 Green

PG11- PG13.5 - PG16 - PG21

CABLE GLANDS 1

CABLE GLANDS 2